



Towards Quantum Chemistry on a Quantum Computer

Citation

Lanyon, Benjamin P., James D. Whitfield, Geoff G. Gillett, Michael E. Goggin, Marcelo P. Almeida, Ivan Kassal, Jacob D. Biamonte, et al. 2010. Towards quantum chemistry on a quantum computer. *Nature Chemistry* 2(2): 106–111.

Published Version

doi:10.1038/nchem.483

Permanent link

<http://nrs.harvard.edu/urn-3:HUL.InstRepos:4646386>

Terms of Use

This article was downloaded from Harvard University's DASH repository, and is made available under the terms and conditions applicable to Open Access Policy Articles, as set forth at <http://nrs.harvard.edu/urn-3:HUL.InstRepos:dash.current.terms-of-use#OAP>

Share Your Story

The Harvard community has made this article openly available.
Please share how this access benefits you. [Submit a story](#).

[Accessibility](#)

Towards Quantum Chemistry on a Quantum Computer

B. P. Lanyon^{1,2}, J. D. Whitfield⁴, G. G. Gillett^{1,2}, M. E. Goggin^{1,5}, M. P. Almeida^{1,2},
I. Kassal⁴, J. D. Biamonte^{4,*}, M. Mohseni⁴, B. J. Powell^{1,3},
M. Barbieri^{1,2,†}, A. Aspuru-Guzik⁴ & A. G. White^{1,2}

¹*Department of Physics, ²Centre for Quantum Computer Technology,*

³*Centre for Organic Photonics & Electronics,*

University of Queensland, Brisbane 4072, Australia

⁴*Department of Chemistry and Chemical Biology,*

Harvard University, Cambridge, MA 02138, USA

⁵ *Department of Physics, Truman State University, Kirksville, MO 63501, USA*

* Present address: Oxford University Computing Laboratory, Oxford OX1 3QD, United Kingdom.

† Present address: Laboratoire Ch. Fabry de l'Institut d'Optique, Palaiseau, France.

The fundamental problem faced in quantum chemistry is the calculation of molecular properties, which are of practical importance in fields ranging from materials science to biochemistry. Within chemical precision, the total energy of a molecule as well as most other properties, can be calculated by solving the Schrödinger equation. However, the computational resources required to obtain exact solutions on a conventional computer generally increase exponentially with the number of atoms involved^{1,2}. This renders such calculations intractable for all but the smallest of systems. Recently, an efficient algorithm has been proposed enabling a quantum computer to overcome this problem by achieving only a polynomial resource scaling with system size^{2,3,4}. Such a tool would therefore provide an extremely powerful tool for new science and technology. Here we present a photonic implementation for the smallest problem: obtaining the energies of H₂, the hydrogen molecule in a minimal basis. We perform a key algorithmic step—the iterative phase estimation algorithm^{5,6,7,8}—in full, achieving a high level of precision and robustness to error. We implement other algorithmic steps with assistance from a classical computer and explain how this non-scalable approach could be avoided. Finally, we provide new theoretical results which lay the foundations for the next generation of simulation experiments using quantum computers. We have made early experimental progress towards the long-term goal of exploiting quantum information to speed up quantum chemistry calculations.

Experimentalists are just beginning to command the level of control over quantum systems required to explore their information processing capabilities. An important long-term application is to simulate and calculate properties of other many-body quantum systems. Pioneering experiments were first performed using nuclear-magnetic-resonance-based systems to simulate quantum oscillators⁹, leading up to recent simulations of a pairing Hamiltonian^{7,10}. Very recently the phase transitions of a two-spin quantum magnet were simulated¹¹ using an ion-trap system. Here we simulate a quantum chemical system *and calculate its energy spectrum*, using a photonic system.

Molecular energies are represented as the eigenvalues of an associated time-independent Hamiltonian \hat{H} and can be efficiently obtained to fixed accuracy, using a quantum algorithm with three distinct steps⁶: encoding a molecular wavefunction into qubits; simulating its time evolution using quantum logic gates; and extracting the approximate energy using the phase estimation algorithm^{3,12}. The latter is a general-purpose quantum algorithm for evaluating the eigenvalues of arbitrary Hermitian or unitary operators. The algorithm estimates the phase, ϕ , accumulated by a molecular eigenstate, $|\Psi\rangle$, under the action of the time-evolution operator, $\hat{U}=e^{-i\hat{H}t/\hbar}$, i.e.,

$$e^{-i\hat{H}t/\hbar}|\Psi\rangle=e^{-iEt/\hbar}|\Psi\rangle=e^{-i2\pi\phi}|\Psi\rangle \quad (1)$$

where E is the energy eigenvalue of $|\Psi\rangle$. Therefore, estimating the phase for each eigenstate amounts to estimating the eigenvalues of the Hamiltonian.

We take the standard approach to quantum-chemical calculations by solving an approximate Hamiltonian created by employing the Born-Oppenheimer approximation (where the

electronic Hamiltonian is parameterized by the nuclear configuration) and choosing a suitable truncated basis set in which to describe the non-relativistic electronic system. Typical sets consist of a finite number of single-electron atomic orbitals, which are combined to form antisymmetric multi-electron molecular states (configurations)¹³. Calculating the eigenvalues of the electronic Hamiltonian using all configurations gives the exact energy in the basis set and is referred to as full configuration interaction (FCI). For N orbitals and m electrons there are $\binom{N}{m} \approx N^m/m!$ ways to allocate the electrons among the orbitals. This exponential growth is the handicap of FCI calculations on classical computers.

As described in the Methods Summary, the Hamiltonian is block diagonal in our choice of basis, with 2x2 sub-matrices ($\hat{H}^{(1,6)}$ and $\hat{H}^{(3,4)}$). We map the configurations spanning each sub-space to the qubit computational basis. Since the subspaces are two-dimensional, one qubit suffices to represent the wavefunction. The corresponding time-evolution operators, $\hat{U}^{(p,q)} = e^{-i\hat{H}^{(p,q)}t/\hbar}$ —where $(p, q) = (1, 6)$ or $(3, 4)$ —are therefore one-qubit operators. Finding the eigenvalues of each separately, using a phase estimation algorithm, amounts to performing FCI. For the purpose of our demonstration, we encode exact eigenstates, obtained via a preliminary calculation on a classical computer. In our Appendix we show that the algorithm is in fact robust to imperfect eigenstate encoding.

We implement the *iterative* phase estimation algorithm^{6,14} (IPEA), which advantageously reduces the number of qubits and quantum logic gates required. Fig.1 a shows the IPEA at iteration k . The result of a logical measurement of the top ‘control’ qubit after each iteration determines the k^{th} bit of the binary expansion¹⁵ of ϕ . Let K bits of this expansion be $\tilde{\phi} = 0.\phi_1\phi_2\dots\phi_m$, such that $\phi = \tilde{\phi} + \delta 2^{-K}$ where δ is a remainder $0 \leq \delta < 1$. An accuracy of $\pm 2^{-K}$ is achieved with error probability¹⁴ $\epsilon \leq 1 - 8/\pi^2 \approx 0.19$, which is independent of K (the bound is saturated for $\delta = 0.5$). This error can be eliminated by simply repeating each IPEA iteration multiple (n) times, yielding n possible values for the corresponding bit; a majority vote of these samples determines the result (see Methods, Section C).

To resolve the energy differences relevant to chemical processes⁶, absolute molecular energies must be computed to an accuracy greater than $\approx 10^{-4} E_h$ ($\sim k_b T$ at room temperature). Therefore it is important to demonstrate that the IPEA can achieve the necessary phase precision of ≈ 16 bits (the accuracy of the non-relativistic Born-Oppenheimer energy is then limited only by the choice of basis). We implement the IPEA with a photonic architecture, encoding qubits in polarization of single photons, Fig.1 c. Our experiment is possible due to the recent development of a photonic two-qubit controlled-unitary quantum logic gate, which combines multiple photonic degrees of freedom, linear optical elements and projective measurement to achieve the required nonlinear interaction between photons¹⁶. Such gates are high-quality, well-characterized, and have several in-principle paths to scalable optical quantum computing¹⁷. We note that our implementation of two-qubit quantum IPEA is the first, in any context, to use entangling gates, outside of a liquid-state ensemble NMR architecture¹⁸, which is arguably an in-principle non-scalable architecture¹⁹. We remark that an implementation of a semiclassical quantum Fourier transform was performed in ions²⁰, combining single-qubit measurement and rotations in place of entangling gates.

Fig. 2 shows our results: H_2 energies calculated over a range of internuclear separations, thus reconstructing the potential energy surfaces. Each point is obtained using a 20-bit IPEA

and employing $n=31$ samples per bit. In every case, the algorithm successfully returned the energy to within the target precision of $\pm(2^{-20} \times 2\pi)E_h \approx 10^{-5}E_h$, in the minimal basis. For example, the ground state energy obtained at the equilibrium bond length, $1.3886 a_0$ (where a_0 is the Bohr radius), is $-0.20399 \pm 0.00001 E_h$, which agrees exactly with the result obtained on a classical computer to an uncertainty in the least significant bit.

Achieving such high precision will become a far more significant challenge for large-scale implementations: due to the small-scale of our demonstration, we are able to implement each power of $\hat{U}^{(p,q)}$ directly, by re-encoding the same number of gates (see Methods Summary). Therefore, the probability of error introduced by gate imperfections remains a constant for each bit. This is the main algorithmic feature that allows the high precision obtained in this experiment. However, following current proposals, the circuit network for \hat{U} will not generally have the same form as \hat{U}^j for larger implementations (detailed in the Appendix, Section A). For each additional digit of precision sought, the gate requirements of the algorithm are roughly doubled, thereby amplifying any gate error.

Important next experimental steps are to demonstrate the two parts of the quantum algorithm that we implemented with assistance from a classical computer. Firstly, encoding even low fidelity eigenstate approximations into qubits is a highly non-trivial step for molecules much larger than H_2 . In many cases this problem could be overcome using a heuristic adiabatic state preparation algorithm^{6,11,21}. Here, ground state approximations, for example, can be efficiently obtained provided that the energy gap between the ground state and excited states is sufficiently large along the path of the adiabatic evolution²². Secondly, directly calculating and decomposing the molecular evolution operator into logic gates does not scale efficiently with molecular size² and an alternative scheme must be employed. The proposed solution exploits the fact that the general molecular Hamiltonian is a sum of fixed-sized one- and two-electron terms that can be individually efficiently simulated and combined to approximate the global evolution^{2,15}. We give an overview of this ‘operator-splitting technique’ in the Appendix (Section A) and find that the total number of elementary quantum gates required to simulate the evolution of an arbitrary molecule, without error correction, scales as $O(N^5)$, where N is the number of single-particle basis functions used to describe the molecular system. In this scheme, N is also the number of qubits necessary. We also present the quantum logic circuits required to simulate each term in the general molecular Hamiltonian—these are the building blocks of a universal quantum molecular simulator. Finally, we perform an accurate resource count to reproduce our H_2 simulation in this scalable way: 4 qubits and ~ 522 perfect gates are required to simulate the full unitary propagator such that the error of the simulated evolution is within chemical precision.

Other major challenges in the path to scalability include those associated with scaling up the ‘hardware’, i.e., achieving more qubits, gates, and longer coherence times. Much progress is being made on developing the necessary technology for a large-scale photonic quantum computer^{23,24}. The influence of noise is perhaps the most serious consideration²⁵ and must be overcome using error-correction and fault-tolerant constructions^{8,15}. We note that an alternative promising path to efficient quantum simulators is to exploit controllable quantum systems that can be used to *directly* implement model Hamiltonians, thereby avoiding the

mentioned resource intensive approximation techniques and error correction^{2,26}.

I. METHODS SUMMARY

We use the minimal STO-3G basis²⁷ for H₂, consisting of one $|1s\rangle$ -type atomic orbital per atom. These two functions are combined to form the bonding (antibonding) molecular orbitals²⁸. The 4 corresponding single-electron molecular spin-orbitals are combined antisymmetrically to form the six two-electron configurations ($\Phi_1 \rightarrow \Phi_6$) that form the basis for our simulation. Due to symmetry, the Hamiltonian is block-diagonal in this basis, with blocks acting on each of the four subspaces spanned by $\{|\Phi_1\rangle, |\Phi_6\rangle\}$, $\{|\Phi_2\rangle\}$, $\{|\Phi_3\rangle, |\Phi_4\rangle\}$, and $\{|\Phi_5\rangle\}$ (See Methods, Section A). Therefore, finding the eigenvalues of the two 2×2 submatrices in the Hamiltonian— $\hat{H}^{(1,6)}$ and $\hat{H}^{(3,4)}$ —amounts to performing the FCI. Estimating the eigenvalues of 2×2 matrices is the simplest problem for the IPEA.

We employ a propagator time step of $t=1 \hbar/E_h$ (the hartree, $E_h \approx 27.21$ eV, is the atomic unit of energy), chosen so that $0 \leq Et/2\pi\hbar \leq 1$. For our proof-of-principle demonstration, all necessary molecular integrals are evaluated classically (Methods, Section C) using the Hartree-Fock procedure²⁸. We use these integrals to calculate the matrix elements of \hat{H} and \hat{U} , then directly decompose each $\hat{U}^{(p,q)}$ operator into a logic gate network. We decompose the $\hat{U}^{(p,q)}$ operators into a global phase and a series of rotations of the one-qubit Hilbert space¹⁵:

$$\hat{U} = e^{i\alpha} \hat{R}_y(\beta) \hat{R}_z(\gamma) \hat{R}_y(-\beta), \quad (2)$$

where α , β , and γ , are real angles. \hat{U}^j is achieved by replacing angles α and γ with $j\alpha$ and $j\gamma$ (while β remains unchanged). Our decomposition of the controlled- \hat{U}^j is shown in Fig. 1b.

Acknowledgments. We thank A. Perdomo, A. Steinberg, P.J. Love, A.D. Dutoi, G. Vidal, and A. Fedrizzi for discussions. We acknowledge financial support from the Australian Research Council (ARC) Federation Fellow and Centre of Excellence programs, and the IARPA-funded U.S. Army Research Office Contracts W911NF-0397 & W911NF-07-0304. BJP was the recipient of an ARC Queen Elizabeth II Fellowship (DP0878523) and IK of the Joyce and Zlatko Baloković Scholarship.

Correspondence. Correspondence and requests for materials should be addressed to BPL (lanyon@physics.uq.edu.au) and AA-G (aspuru@chemistry.harvard.edu).

II. METHODS

A. Minimal basis and symmetries in the electronic Hamiltonian of the hydrogen molecule

The two $|1s\rangle$ -type atomic orbitals are combined to form the bonding and antibonding molecular orbitals²⁸, $|g\rangle$ and $|u\rangle$. Taking into account electron spin, the single-electron molecular spin-orbitals are denoted, $|g\uparrow\rangle$, $|g\downarrow\rangle$, $|u\uparrow\rangle$ and $|u\downarrow\rangle$, where $|\uparrow\rangle$ and $|\downarrow\rangle$ are the electron spin eigenstates. These are combined antisymmetrically to form the six two-electron configurations that form the basis for our simulation: $|\Phi_1\rangle\equiv|g\uparrow, g\downarrow\rangle= (|g\uparrow, g\downarrow\rangle - |g\downarrow, g\uparrow\rangle)/\sqrt{2}$, $|\Phi_2\rangle=|g\uparrow, u\uparrow\rangle$, $|\Phi_3\rangle=|g\uparrow, u\downarrow\rangle$, $|\Phi_4\rangle=|g\downarrow, u\uparrow\rangle$, $|\Phi_5\rangle=|g\downarrow, u\downarrow\rangle$ and $|\Phi_6\rangle=|u\uparrow, u\downarrow\rangle$. Due to symmetry, the Hamiltonian is block-diagonal in this basis, with blocks acting on each of the four subspaces spanned by $\{|\Phi_1\rangle, |\Phi_6\rangle\}$, $\{|\Phi_2\rangle\}$, $\{|\Phi_3\rangle, |\Phi_4\rangle\}$, and $\{|\Phi_5\rangle\}$. Most of the elements of this basis are not mixed by the Hamiltonian. In particular, $|\Phi_1\rangle$ and $|\Phi_6\rangle$ mix only with each other because they have g symmetry while the rest have u symmetry. Of the remaining states only $|\Phi_3\rangle$ and $|\Phi_4\rangle$ mix because they have the same total z -projection of the spin, $m_S=0$. $|\Phi_2\rangle$ and $|\Phi_5\rangle$ have, respectively, $m_S=1$ and $m_S=-1$. Therefore, the Hamiltonian is block-diagonal within four subspaces spanned by $\{|\Phi_1\rangle, |\Phi_6\rangle\}$, $\{|\Phi_2\rangle\}$, $\{|\Phi_3\rangle, |\Phi_4\rangle\}$, and $\{|\Phi_5\rangle\}$. There are no approximations involved here, and finding the eigenvalues of the two 2×2 sub-matrices in the Hamiltonian ($\hat{H}^{(1,6)}$ and $\hat{H}^{(3,4)}$) amounts to performing an exact calculation (FCI) in the minimal basis. One should also note that it follows from the requirement that the wave functions are spin eigenstates, that the eigenstates of the subspace $\{|\Phi_3\rangle, |\Phi_4\rangle\}$ will be $(|\Phi_3\rangle\pm|\Phi_4\rangle)/\sqrt{2}$. Additionally, there will be a three-fold degeneracy of the triplet state with angular momentum $S=1$. That is, the states $|\Phi_2\rangle$, $|\Phi_5\rangle$, and $(|\Phi_3\rangle+|\Phi_4\rangle)/\sqrt{2}$ are degenerate.

B. Details of computational methods

Restricted Hartree-Fock calculations were carried out on a classical computer using the STO-3G basis²⁷. The software used was the PyQuante quantum chemistry package version 1.6. The molecular integrals from the Hartree-Fock procedure are used to evaluate the matrix elements of the Hamiltonians $\hat{H}^{(1,6)}$ and $\hat{H}^{(3,4)}$, described in the main text.

C. Classical error correction technique

When running the IPEA, the probability of correctly identifying any individual bit with a single sample ($n=1$) is reduced from unity by both theoretical (inexact phase expansion to K bits) and experimental factors (such as imperfect gates). However, as long as it remains above 0.5, repeated sampling and a majority vote will reduce the probability of error exponentially with n , in accordance with the Chernoff bound¹⁵. This technique allows for a significant increase in success probability, at the expense of repeating the experiment a fixed number of times. We note that this simple classical error correction technique can only play a small role when it comes to dealing with errors in large-scale implementations. Here, the numerous errors in very large quantum logic circuits will make achieving a bit success probability over 0.5 a significant challenge, that must be met with quantum error

correction techniques^{8,15}.

D. Count rates

We operate with a low-brightness optical source (spontaneous parametric downconversion pumping power ≈ 50 mW) to reduce the effects of unwanted multi-photon-pair emissions (which cannot be distinguished by our non-photon-number-resolving detectors and introduce error into the circuit operation). This yields about 15 coincident detection events per second at the output of our optical circuit. Therefore each iteration can be repeated 15 times a second. Reconfiguring the circuit for different iterations takes approximately 7 seconds, largely due to the finite time required to rotate standard computer controlled waveplate mounts. Therefore, obtaining a 20-bit estimation of a phase takes about 3 minutes, when using $n=31$ samples to determine the logical state of each bit (as was employed to achieve the results shown in Fig. 2). Note that approximately 95% of this time is spent rotating waveplates. In future implementations, this time could be reduced significantly using integrated-photonics, e.g. qubit manipulation using an electrooptically-controlled waveguide Mach-Zehnder interferometer²⁹.

III. APPENDIX

A. Efficient simulation of arbitrary molecular time-evolution operators

A fundamental challenge for the quantum simulation of large molecules is the accurate decomposition of the system’s time evolution operator, \hat{U} . In our experimental demonstration, we exploit the small size and inherent symmetries of the hydrogen molecule Hamiltonian to implement \hat{U} exactly, using only a small number of gates. As the system size grows such a direct decomposition will no longer be practical. However, an efficient first-principles simulation of the propagator is possible for larger chemical systems^{2,6,30,31,32,33,34}.

The key steps of an efficient approach are: (1) expressing the chemical Hamiltonian in second quantized form, (2) expressing each term in the Hamiltonian in a spin 1/2 representation via the Jordan-Wigner transformation³⁵, (3) decomposing the overall unitary propagator, via a Trotter-Suzuki expansion^{2,36}, into a product of the evolution operators for non-commuting Hamiltonian terms, and (4) efficiently simulating the evolution of each term by designing and implementing the corresponding quantum circuit. We note that the first two steps generate a Hamiltonian that can be easily mapped to the state space of qubits. The last steps are part of the quantum algorithm for simulating the time-evolution operator, \hat{U} , generated by this Hamiltonian. Details of each step are provided as follows:

Step 1. Second-quantized Hamiltonian

The general second-quantized chemical Hamiltonian has $O(N^4)$ terms, where N is the number of single-electron basis functions (i.e. spin-orbitals) used to describe the system¹³. The Hamiltonian can be explicitly written as:

$$\hat{H} = \sum_{p,q} h_{pq} \hat{a}_p^+ \hat{a}_q + \frac{1}{2} \sum_{p,q,r,s} h_{pqrs} \hat{a}_p^+ \hat{a}_q^+ \hat{a}_r \hat{a}_s, \quad (\text{S1})$$

where the annihilation and creation operators (\hat{a}_j and \hat{a}_j^+ respectively) obey the fermionic anti-commutation relations: $[\hat{a}_i, \hat{a}_j^+]_+ = \delta_{ij}$ and $[\hat{a}_i, \hat{a}_j]_+ = 0$, and the indices p , q , r , and s run over all N single-electron basis functions. The integrals h_{pq} and h_{pqrs} are evaluated during a preliminary Hartree-Fock procedure²⁸ and are defined as

$$h_{pq} = \int d\mathbf{x} \chi_p^*(\mathbf{x}) \left(-\frac{1}{2} \nabla^2 - \sum_{\alpha} \frac{Z_{\alpha}}{r_{\alpha\mathbf{x}}} \right) \chi_q(\mathbf{x})$$

and

$$h_{pqrs} = \int d\mathbf{x}_1 d\mathbf{x}_2 \frac{\chi_p^*(\mathbf{x}_1) \chi_q^*(\mathbf{x}_2) \chi_r(\mathbf{x}_2) \chi_s(\mathbf{x}_1)}{r_{12}}$$

where $\chi_q(\mathbf{x})$ are a selected single-particle basis. Here ∇^2 is the Laplacian with respect to the electron spatial coordinates, while $r_{\alpha\mathbf{x}}$ and r_{12} are the distances between the α^{th} nucleus and the electron and the distance between electrons 1 and 2, respectively.

Expressing the Hamiltonian in second-quantized form allows straightforward mapping of the state space to qubits. The logical states of each qubit are identified with the fermionic occupancy of a single-electron spin-orbital (i.e. $|0\rangle = \text{occupied}$, $|1\rangle = \text{unoccupied}$). Therefore, simulating a system with a total of N single-electron spin-orbitals (e.g., $N = \lambda\kappa$ for a molecule with λ atoms each with κ spin-orbitals) requires only N qubits. Note that the N -qubit Hilbert space allows for any number of electrons (up to N), hence the scaling is *independent* of the number of electrons present in the system. In practical Gaussian basis-set calculations, the number of spin-orbitals per atom is usually constant for a given row of the periodic table³⁷. The use of a double-zeta basis set³⁷ would require employing ≈ 30 logical qubits per simulated atom. For example, 1800 logical qubits would be required to store the wave function of the fullerene (C_{60}) molecule.

Step 2. Jordan-Wigner transformation of the fermionic operators to spin variables

Starting with the second-quantized Hamiltonian from (S1), the Jordan-Wigner transformation is used to map fermionic creation and annihilation operators into a representation using the Pauli spin matrices as a basis³⁵. This allows for a convenient implementation on a quantum computer^{31,32}. The representation is achieved via the following invertible transformations, which are applied to each term in (S1):

$$\hat{a}_j \rightarrow \mathbf{1}^{\otimes j-1} \otimes \hat{\sigma}^+ \otimes (\hat{\sigma}^z)^{\otimes N-j} \tag{S2a}$$

$$\hat{a}_j^+ \rightarrow \mathbf{1}^{\otimes j-1} \otimes \hat{\sigma}^- \otimes (\hat{\sigma}^z)^{\otimes N-j}, \tag{S2b}$$

where $\hat{\sigma}^+ \equiv (\hat{\sigma}^x + i\hat{\sigma}^y)/2 = |0\rangle\langle 1|$ and $\hat{\sigma}^- \equiv (\hat{\sigma}^x - i\hat{\sigma}^y)/2 = |1\rangle\langle 0|$. The $\hat{\sigma}^\pm$ operators achieve the desired mapping of occupied (unoccupied) states to the computational basis [i.e., $|1\rangle$ ($|0\rangle$)] while other terms serve to maintain the required anti-symmetrization of the wavefunction in the spin (qubit) representation.

Step 3. Exponentiation of the Hamiltonian

As the system size represented by the chemical Hamiltonian (S1) grows, a direct decomposition of the time-evolution operator, \hat{U} , into a sequence of logic gates will no longer be practical as the best methods scale exponentially. However, the Hamiltonian is a sum of one and two-electron terms whose time-evolution operators can each be implemented efficiently—e.g. with a number of gates that does not scale with N . However, generally the terms do not commute, thus simple reconstruction of \hat{U} from direct products of the individual operators is not possible. Trotter-Suzuki relations can be used to approximate the full unitary propagator from the individual evolution of non-commuting operators^{2,36}.

For a Hamiltonian $\hat{H} = \sum_{i=1}^N \hat{h}_i$, the first-order Trotter-Suzuki decomposition is expressed as

$$\hat{U}(t) = e^{-i\hat{H}t} = \left(e^{-i\hat{h}_1 dt} e^{-i\hat{h}_2 dt} \dots e^{-i\hat{h}_N dt} \right)^{\frac{t}{dt}} + O(dt^2). \tag{S3}$$

The value $T_n = t/dt$ is called the Trotter number³⁶. As the Trotter number tends to infinity, or equivalently $dt \rightarrow 0$, the approximation becomes exact. In practice, a compromise

between computational effort and accuracy is employed. In numerical computations, successive calculations at different timesteps dt are often carried out, and an extrapolation of $dt \rightarrow 0$ gives an estimate of the exact answer. A similar approach can be used for quantum simulation.

We note that, unlike our small-scale experiment, the powers of the system evolution operator, \hat{U}^j , required for the IPEA cannot be achieved by simply changing parameters in the gate decomposition for \hat{U} . In general \hat{U}^2 will take twice as many gates as \hat{U} . Intuitively, the system dynamics must be propagated for twice as long leading to twice as many manipulations of the quantum simulator’s natural dynamics. The increase in the number of gates required for extra bits will clearly amplify experimental errors, thereby limiting the obtainable precision. Note that although the number of required gates increases exponentially with the number of bits, each additional bit itself provides an exponential increase in precision.

As mentioned in the manuscript, quantum algorithms that circumvent the problems found from the Trotter expansion are a fertile area of research. In the current scheme, Hamiltonians that are diagonal in the computational basis, such as the classical Ising model do not require a Trotter expansion for their accurate simulation⁸.

Step 4. Circuit representations of the unitary propagator

Each exponentiated tensor product of Pauli matrices can then be implemented efficiently by employing a family of quantum circuits. In order to provide an accurate estimation of an upper bound of the number of gates required for the different kinds of second-quantized operators, we carried out analytical gate decompositions. The circuit networks obtained are summarized in Fig. S1. The networks shown realize the unitary operator $\hat{U}(dt)$ for a general molecular Hamiltonian. To realize a controlled unitary, $c - \hat{U}(dt)$, as required by the phase estimation algorithm, only the rotations $\hat{R}_z(\theta)$ must be converted to controlled- $\hat{R}_z(\theta)$ rotations. The number of gates required to simulate each term is linear in the number of intervening qubits due to the product of $\hat{\sigma}_z$ terms resulting from the Jordan-Wigner transformation of Eq. S2. Therefore, the scaling of the number of quantum gates required for simulating a general many-electron chemical Hamiltonian is $O(N^5)$ without considering the influence of noise²⁵. Fault tolerant quantum simulation¹⁵ requires the use of a finite set of gates and the conversion from the continuous set of gates to a discrete set can be accomplished with polylogarithmic overhead³⁸. The encoding of robust quantum states will also require several redundant qubits for each logical qubit needed¹⁵. A more detailed analysis of fault tolerance in the context of quantum simulation can be found in Ref.⁸.

Resource count for a simple example.

In order to illustrate this algorithm, we performed numerical simulations for H_2 in the same minimal basis (STO-3G) employed in our experiment. Unlike our experimental mapping, the logical states of each register qubit are now identified with the fermionic occupancy of

the four single-electron spin-orbitals (i.e. $|0\rangle = \text{occupied}$, $|1\rangle = \text{unoccupied}$). Therefore, the calculation requires a total of five qubits taking into consideration the single control qubit required for the IPEA. If quantum error correction is needed, the number of qubits will increase according to the scheme used¹⁵. Fig. S2 shows the error in the ground state energy as a function of the Trotter step. The ground state energies of the approximate unitary propagators were obtained via direct diagonalization on a classical computer. A precision of $\pm 10^{-4} E_h$ is achieved at a Trotter number of 6, which corresponds to 522 gates. Note that this gate count is to construct \hat{U}^1 and includes both one- and two-qubit operations. This estimate does not take into consideration error correction for the qubits and it uses a continuous set of gates. In the path to large scale implementations, both will be serious considerations and will increase the complexity of the algorithm and the number of qubits necessary^{8,15}. The unitary matrix must be raised to various powers to perform phase estimation. If one desires to maintain a fixed accuracy of 13 bits, about 8.5×10^6 gates must be used for the IPEA estimation procedure. Note that this can be achieved by repeating the 522 gates required for \hat{U} many times. Note that this does not include the resources associated with preparing a system eigenstate. If one uses an adiabatic state preparation techniques⁶ the resources are proportional to the gap between the ground state and the excited state along the path of adiabatic evolution³⁹.

Although the estimates just given exceed the capabilities of current quantum computers, these resource requirements grow only *polynomially* with the size of system. Consequently, for large enough chemical systems, quantum computers with around 100 qubits are predicted to outperform classical computational devices for the first-principles calculation of chemical properties^{6,40}.

B. Additional experimental results

We use the estimation of the ground state energy at the equilibrium bond length, $1.3886 a_0$ (where a_0 is the Bohr radius) to study the effect of varying a range of experimental parameters on the IPEA success probability, where we define the latter as the probability of correctly obtaining the phase to an precision of 2^{-m} . Fig. S3a shows results measured over a range of n , the number of samples used to determine each bit.

The probability of correctly identifying any individual bit with a single sample ($n = 1$) is reduced from unity by both theoretical (δ) and experimental factors (such as imperfect gates). However, as long as it remains above 0.5, repeated sampling and a majority vote will improve the probability of correct identification. The data show that this is achieved and the error probability decreases exponentially with n , in accordance with the Chernoff bound¹⁵. This technique allows for a significant increase in success probability, at the expense of repeating the experiment a fixed number of times. We note that this simple classical error correction technique can only play a small role when it comes to dealing with errors in large-scale implementations. Here, the numerous errors in very large quantum logic circuits will make achieving a bit success probability over 0.5 a significant challenge, that must be met with quantum error correction techniques^{8,15}.

Fig. S3b shows the algorithm success probability measured as a function of the num-

ber of extracted bits (phase precision). By employing $n = 101$ samples per bit we achieve near perfect algorithm success probability up to 47 bits (yielding an energy precision of $\approx 10^{-13}E_h$), where this limit is imposed only by the machine-level precision used for the classical preprocessing of the Hamiltonians. It is insightful to understand how achieving such high precision will become a far more significant challenge for large-scale implementations: due to the small-scale of our demonstration, we are able to implement each power of $\hat{U}^{(i,j)}$ directly, by re-encoding the same number of gates. Therefore, the probability of error introduced by gate imperfections remains a constant for each bit (and, in our implementation, under 50%). This is the main algorithmic feature that allows the high precision obtained in this experiment. However, as expounded in the appendix (section A), this will not be possible for larger implementations. In general, \hat{U} will not have the same form as \hat{U}^n . For each additional digit of precision sought, the gate requirements of the algorithm are roughly doubled, thereby amplifying any gate error.

Fig. S3c shows the algorithm success probability measured as a function of the fidelity F (see caption) between the encoded register state and the ground state. The results show that our implementation is robust for $F \gtrsim 0.5$. Because the probability of correctly obtaining each bit in a single measurement ($n = 1$) is greater than 0.5 in this regime, multiple sampling ($n > 1$) enables the success probability to be amplified arbitrarily close to unity. This is a general feature that will hold for large-scale implementations. However, for $F \lesssim 0.5$, the measured success probabilities are very low.

If the register state output after each iteration is used as the input of the next, then the problem with low eigenstate fidelities can be overcome as the measurement of the control qubit collapses the wave function. Any pure encoded register state can be written in the eigenstate basis as $|G\rangle = \sum_i \alpha_i |\lambda_i\rangle$, where $|\alpha_i|^2$ is the fidelity of $|G\rangle$ with eigenstate $|\lambda_i\rangle$. Successful measurement of the m^{th} bit associated with $|\lambda_i\rangle$ will cause the register wavefunction to collapse into a state with a greater fidelity with $|\lambda_i\rangle$ —those eigenstates with a low probability of returning the measured bit value will be diminished from the superposition. As more bits are successfully measured, the register state will rapidly collapse to $|\lambda_i\rangle$. In this way, the algorithm will return all the bits associated with $|\lambda_i\rangle$ with probability at least¹⁵ $|\alpha_i|^2(1 - \epsilon)$. With current technology, correct operation of our optical circuit requires destructive measurement of both the control and register qubits after each IPEA iteration. Therefore, in our experiment the register state must be re-prepared for each iteration.

1. How we obtain IPEA success probabilities

Denoting the first m binary bits of a phase ϕ as $\tilde{\phi} = 0.\phi_1\phi_2\dots\phi_m$, there is, in general, a remainder $0 \leq \delta < 1$, such that $\phi = \tilde{\phi} + \delta 2^{-m}$. To achieve an accuracy of $\pm 2^{-m}$ the IPEA success probability is the sum of the probabilities for obtaining $\tilde{\phi}$ and $\tilde{\phi} + 2^{-m}$. This can be estimated experimentally, for a given phase, by simply repeating the algorithm a large number of times and dividing the number of acceptable results by the total. An estimate with an error less than 10% would require over 100 algorithm repetitions. We calculate the result shown in Fig. S3c in this way. However, using this technique to obtain Fig. S3b-c, and Fig. S3 (described below), would take a long time—the 20 points shown in each would require

more than 100 hours of waveplate rotation time alone. Instead, to obtain these results we force the appropriate feedforward trajectory ($R(\omega_k)$) for each accepted phase value and use $n = 301$ samples to estimate the 0/1 probabilities for each bit. Using the standard binomial cumulative distribution function it is then possible to calculate the majority vote success probability for each bit of each accepted value for a given n (1 and 101 in the figures). The probability for obtaining an accepted phase value is then the product of the majority vote success probabilities for each bit, and the total algorithm success probability is the sum of the probabilities for obtaining each accepted phase. The error bars represent a 68% confidence interval and are obtained from a direct Monte-Carlo simulation of the above process.

Note that forcing the correct feedforward in this way, and taking many samples to estimate the 0/1 probabilities for each bit, simply allows us to accurately estimate the probability that the algorithm will return the correct phase by itself - i.e. without forcing the correct feedforward.

2. Experimental model

A simple computational model of our experiment produced the lines shown in Fig. S3. This model allows for two experimental imperfections, which are described below, but otherwise assumes perfect optic element operation. The model consists of a series of operators, representing optical elements and noise sources, acting on a vector space representing both photonic polarisation and longitudinal spatial mode¹⁶. Firstly the model allows for photon distinguishability, quantified by an imperfect relative non-classical interference visibility of 0.93 (ideal 1), which reduces the quality of our two-qubit logic gate. Secondly the model allows for phase damping of the control qubit, described by the operation elements¹⁵:

$$\begin{bmatrix} 1 & 0 \\ 0 & \sqrt{1-\gamma} \end{bmatrix} \text{ and } \begin{bmatrix} 0 & 0 \\ 0 & \sqrt{\gamma} \end{bmatrix}. \quad (\text{S4})$$

Our model employs $\gamma = 0.06$ (ideal 0), which corresponds to $\approx 3\%$ dephasing. These experimental imperfections are attributed to a combination of residual higher-order photon pair emissions from our optical source and circuit alignment drift during long measurement sets.

-
- ¹ R. P. Feynman. Simulating physics with computers. *Int. J. Theor. Phys.*, 21:467, 1982.
 - ² Seth Lloyd. Universal quantum simulators. *Science*, 273:1073–8, Aug 1996.
 - ³ Daniel Abrams and Seth Lloyd. Simulation of many-body fermi systems on a universal quantum computer. *Phys. Rev. Lett.*, 79:2586–2586, 1997.
 - ⁴ Christof Zalka. Efficient simulation of quantum systems by quantum computers. *Proc. Roy. Soc. Lond. A*, 454:313, 1998.
 - ⁵ Daniel A. Lidar and Haobin Wang. Calculating the thermal rate constant with exponential speedup on a quantum computer. *Phys. Rev. E*, 59:2429, 1999.

- ⁶ A. Aspuru-Guzik, A. Dutoi, P. Love, and M. Head-Gordon. Simulated quantum computation of molecular energies. *Science*, 309:1704, 2005.
- ⁷ Kenneth R. Brown, Robert J. Clark, and Isaac L. Chuang. Limitations of quantum simulation examined by simulating a pairing hamiltonian using nuclear magnetic resonance. *Physical Review Letters*, 97:050504, 2006.
- ⁸ C. R. Clark, K. R. Brown, T. S. Metodi, and S. D. Gasster. Resource requirements for fault-tolerant quantum simulation: The transverse ising model ground state. *arXiv:0810.5626*, 2008.
- ⁹ S. Somaroo, C. H. Tseng, T. F. Havel, R. Laflamme, and D. G. Cory. Quantum simulations on a quantum computer. *Phys. Rev. Lett.*, 82:5381, 1999.
- ¹⁰ X. Yang, A. M. Wang, F. Xu, and J. Du. Experimental simulation of a pairing hamiltonian on an nmr quantum computer. *Chem. Phys. Lett.*, 422:20, 2006.
- ¹¹ A. Friedenauer, H. Schmitz, J. T. Glueckert, D. Porras, and T. Schaetz. Simulating a quantum magnet with trapped ions. *Nature Phys.*, 4(10):757–761, 2008.
- ¹² A. Kitaev. Quantum measurements and the abelian stabilizer problem. *arXiv e-print quant-ph/9511026*, 1995.
- ¹³ Trygve Helgaker, Poul Jorgensen, and Jeppe Olsen. *Modern Electronic Structure Theory*. Wiley, 2000.
- ¹⁴ M. Dobsicek, G. Johansson, V. S. Shumeiko, and G. Wendin. Arbitrary accuracy iterative phase estimation algorithm as a two qubit benchmark. *Phys. Rev. A*, 76(030306(R)), 2007.
- ¹⁵ M. Nielsen and I. Chuang. *Quantum Computation and Quantum Information*. Cambridge University Press, 2001.
- ¹⁶ B. P. Lanyon, M. Barbieri, M. P. Almeida, T. Jennewein, T. C. Ralph, K. J. Resch, G. J. Pryde, J. L. O’Brien, A. Gilchrist, and A. G. White. Simplifying quantum logic using higher-dimensional hilbert spaces. *Nature Phys.*, 5:134, 2009.
- ¹⁷ Pieter Kok, W. J. Munro, Kae Nemoto, T. C. Ralph, Jonathan P. Dowling, and G. J. Milburn. Linear optical quantum computing with photonic qubits. *Rev. Mod. Phys.*, 79(1):135, 2007.
- ¹⁸ L. Xiu-Mei, L. Jun, and S. Xian-Ping. Experimental realization of arbitrary accuracy iterative phase estimation algorithms on ensemble quantum computers. *Chinese Phys. Lett.*, 24:3316, 2007.
- ¹⁹ S. L. Braunstein, C. M. Caves, R. Jozsa, N. Linden, S. Popescu, and R. Schack. Separability of very noisy mixed states and implications for NMR quantum computing. *Phys. Rev. Lett.*, 83(5):1054–1057, Aug 1999.
- ²⁰ J. Chiaverini, J. Britton, D. Leibfried, E. Knill, M. D. Barrett, R. B. Blakestad, W. M. Itano, J. D. Jost, C. Langer, R. Ozeri, T. Schaetz, and D. J. Wineland. Implementation of the semiclassical quantum fourier transform in a scalable system. *Science*, 308:997, 2005.
- ²¹ L.-A. Wu, M. S. Byrd, and D. A. Lidar. Polynomial-time simulation of pairing models on a quantum computer. *Phys. Rev. Lett.*, 89:05794–1, 2002.
- ²² E. Farhi, J. Goldstone, S. Gutmann, and M. Sipser. Quantum adiabatic evolution algorithms with different paths. *Science*, 292(5516):472–475, April 20 2000.
- ²³ A. Migdal and J. Dowling. See special issue: Single-photon: detectors, applications, and measurement methods. *J. Mod. Opt.*, 51, 2004.
- ²⁴ P. Grangier, B. Sanders, and J. Vuckovic. See special issue: Focus on single photons on demand.

- New J. Phys.*, 6, 2004.
- ²⁵ Wolfgang Dür, Michael J. Bremner, and Hans J. Briegel. Quantum simulation of interacting high-dimensional systems: the influence of noise. *arXiv:0706.0154*, 2007.
- ²⁶ E. Jané, G. Vidal, W. Dür, P. Zoller, and J.I. Cirac. Simulation of quantum dynamics with quantum optical systems. *Quant. Inf. Comp.*, 3:15, 2003.
- ²⁷ W. J. Hehre, R. F. Stewart, and J. A. Pople. Self-consistent molecular orbital methods i. use of gaussian expansions of slater type atomic orbitals. *J. Chem. Phys.*, 51:2657, 1969.
- ²⁸ Attila Szabo and Neil Ostlund. *Modern Quantum Chemistry: Introduction to Advanced Electronic Structure Theory*. Dover Publications, 1996.
- ²⁹ Yang Liao, Jian Xu, Ya Cheng, Zenghui Zhou, Fei He, Haiyi Sun, Juan Song, Xinshun Wang, Zhizhan Xu, Koji Sugioka, and Katsumi Midorikawa. Electro-optic integration of embedded electrodes and waveguides in linbo₃ using a femtosecond laser. *Opt. Lett.*, 33:2281, 2008.
- ³⁰ Daniel Abrams and Seth Lloyd. Quantum algorithm providing exponential speed increase for finding eigenvalues and eigenvectors. *Phys. Rev. Lett.*, 83:5162–5165, 1999.
- ³¹ R. Somma, G. Ortiz, J. E. Gubernatis, E. Knill, and R. Laflamme. Simulating physical phenomena by quantum networks. *Phys. Rev. A*, 65:042323, 2002.
- ³² G. Ortiz, J. Gubernatis, E. Knill, and R. Laflamme. Quantum algorithms for fermionic simulations. *Phys. Rev. A*, 64:022319, Aug 2001.
- ³³ E. Ovrum and M. Hjorth-Jensen. Quantum computation algorithm for many-body studies. *arXiv e-print quant-ph/0705.1928*, 2007.
- ³⁴ Péter Varga and Barnabás Apagyi. Phase estimation procedure to solve quantum-mechanical eigenvalue problems. *Phys. Rev. A*, 78:022337, 2008.
- ³⁵ P. Jordan and E. Wigner. Über das paulische Äquivalenzverbot. *Z. Phys. A*, 47:631, 1928.
- ³⁶ N. Hatano and M. Suzuki. *Quantum Annealing and Other Optimization Methods*, chapter Finding Exponential Product Formulas of Higher Orders, page 37. Lectures Notes in Physics. Springer, Heidelberg, 2005.
- ³⁷ K. L. Schuchardt, B. T. Didier, T. Elsethagen, L. Sun, V. Gurumoorthi, J. Chase, J. Li, and T. L. Windus. Basis set exchange: A community database for computational sciences. *J. Chem. Inf. Model.*, 47:1042, 2007.
- ³⁸ A. Yu. Kitaev. Quantum computations: algorithms and error correction. *Russian Math. Surveys*, 52:1191, 1997.
- ³⁹ Edward Farhi, Jeffrey Goldstone, Sam Gutmann, and Michael Sipser. Quantum computation by adiabatic evolution. *arxiv e-print quant-ph/0001106*, 2000.
- ⁴⁰ Ivan Kassal, Stephen P. Jordan, Peter J. Love, Masoud Mohseni, and Alán Aspuru-Guzik. Polynomial-time quantum algorithm for the simulation of chemical dynamics. *Proc. Natl. Acad. Sci.*, 105:18681, 2008.

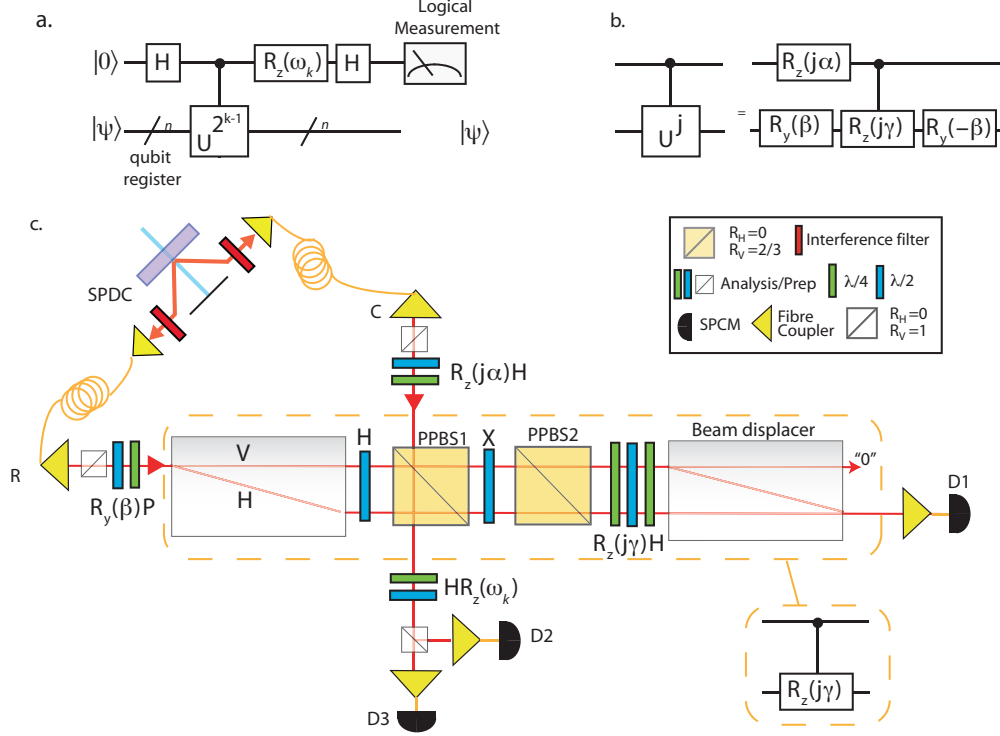


FIG. 1: **Algorithm and experimental implementation.** (a) IPEA^{6,14} at iteration k . To produce a K -bit approximation to ϕ the algorithm is iterated K times. Each iteration obtains one bit of ϕ (ϕ_k): starting from the least significant (ϕ_K), k is iterated backwards from K to 1. The angle ω_k depends on all previously measured bits, $\omega_k = -2\pi b$, where b , in the binary expansion, is $b = 0.0\phi_{k+1}\phi_{k+2}\dots\phi_K$ and $\omega_K = 0$. H is the standard Hadamard gate¹⁵. (b) Our gate network for a two-qubit controlled- \hat{U}^j gate, as discussed in the Methods Summary. (c) Two-qubit optical implementation of (a). Photon pairs are generated by spontaneous parametric down-conversion (SPDC), coupled into single-mode optical fiber and launched into free space optical modes C (control) and R (register). Transmission through a polarizing beamsplitter (PBS) prepares a photonic polarization qubit in the logical state $|0\rangle$, the horizontal polarization. The combination of a PBS with half ($\lambda/2$) and quarter ($\lambda/4$) waveplates allows the preparation (or analysis) of an arbitrary one-qubit pure state. The optical controlled- \hat{R}_z gate, shown in the dashed box, is realized using conditional transformations via spatial degrees of freedom as described by Lanyon¹⁶ *et al.* Coincident detection events (3.1 ns window) between single photon counting modules (SPCM's) D1 and D3 (D2 and D3) herald a successful run of the circuit and result 0 (1) for ϕ_k . Waveplates are labelled with their corresponding operations.

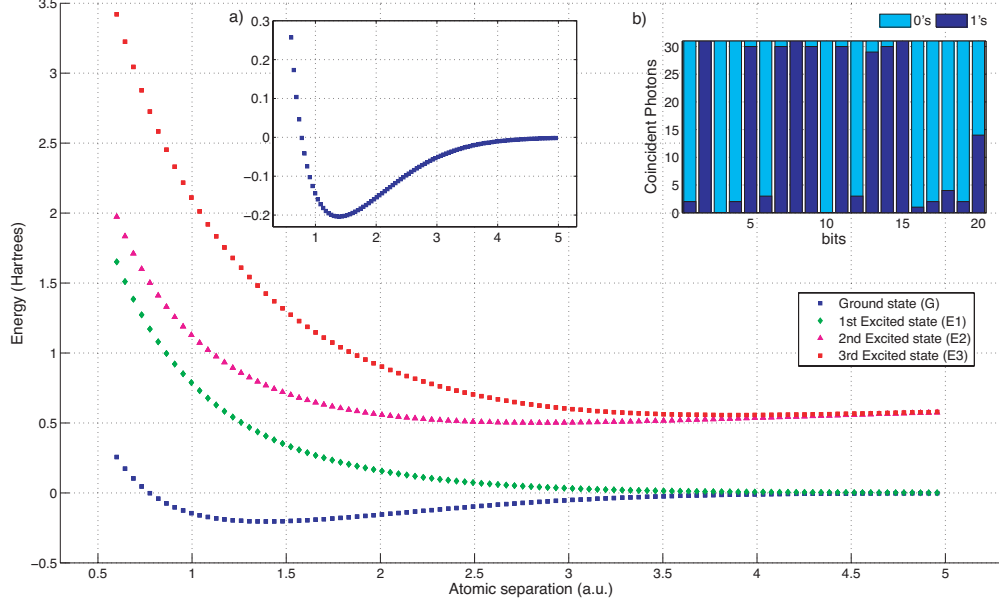


FIG. 2: **Quantum algorithm results: H_2 potential energy curves in a minimal basis.** Each point is calculated using a 20-bit IPEA and employing $n=31$ samples per bit (repetitions of each iteration). Every case was successful, achieving the target precision of $\pm(2^{-20} \times 2\pi) E_h \sim 10^{-5} E_h$. Curve G (E3) is the low (high) eigenvalue of $\hat{H}^{(1,6)}$. Curve E1 is a triply degenerate spin-triplet state, corresponding to the lower eigenvalue of $\hat{H}^{(3,4)}$ as well as the eigenvalues $\hat{H}^{(2)}$ and $\hat{H}^{(5)}$. Curve E2 is the higher (singlet) eigenvalue of $\hat{H}^{(3,4)}$. Measured phases are converted to energies E via $E=2\pi\phi+1/r$, where the last term accounts for the proton-proton Coulomb energy at atomic separation r , and reported relative to the ground state energy of two hydrogen atoms at infinite separation. **Inset a):** Curve G rescaled to highlight the bound state. **Inset b):** Example of raw data for the ground state energy obtained at the equilibrium bond length, 1.3886 $a.u.$. The measured binary phase is $\phi=0.01001011101011100000$ which is equal to the exact value, in our minimal basis, to a binary precision of $\pm 2^{-20}$. Note that the exact value has a remainder of $\delta \approx 0.5$ after a 20 bit expansion, hence the low contrast in the measured 20th bit.

Second quantized operators	Circuit
Number operator $h_{pp}a_p^\dagger a_p$	$-\hat{T}(\theta)$
Excitation operator $h_{pq}(a_p^\dagger a_q + a_q^\dagger a_p)$	
Coulomb and exchange operators $h_{pqqp}a_p^\dagger a_q^\dagger a_q a_p$	
Number-excitation ^a operator $h_{pqr}(a_p^\dagger a_q^\dagger a_r a_r + a_r^\dagger a_q^\dagger a_p a_p)$	
Double excitation operator $h_{pqrs}(a_p^\dagger a_q^\dagger a_r a_s + a_s^\dagger a_r^\dagger a_q a_p)$	
Notation:	

^aThe spin variable representation of this operator depends on whether q lies in the range p to r or outside of it.

FIG. S1: **The quantum circuits corresponding to evolution of the listed Hermitian second-quantized operators.** Here p , q , r , and s are orbital indices corresponding to qubits such that the population of $|1\rangle$ determines the occupancy of the orbitals. It is assumed that the orbital indices satisfy $p > q > r > s$. These circuits were found by performing the Jordan-Wigner transformation given in (S2b) and (S2a) and then propagating the obtained Pauli spin variables³¹. In each circuit, $\theta = \theta(h)$ where h is the integral preceding the operator. Gate $\hat{T}(\theta)$ is defined by $\hat{T}|0\rangle = |0\rangle$ and $\hat{T}|1\rangle = \exp(-i\theta)|1\rangle$, \hat{G} is the global phase gate given by $\exp(-i\phi)\hat{1}$, and the change-of-basis gate \hat{Y} is defined as $\hat{R}_x(-\pi/2)$. Gate \hat{H} refers to the Hadamard gate. For the number-excitation operator, both $M = \hat{Y}$ and $M = \hat{H}$ must be implemented in succession. Similarly, for the double excitation operator each of the 8 quadruplets must be implemented in succession. The global phase gate must be included due to the phase-estimation procedure. Phase estimation requires controlled versions of these operators which can be accomplished by changing all gates with θ -dependence into controlled gates.

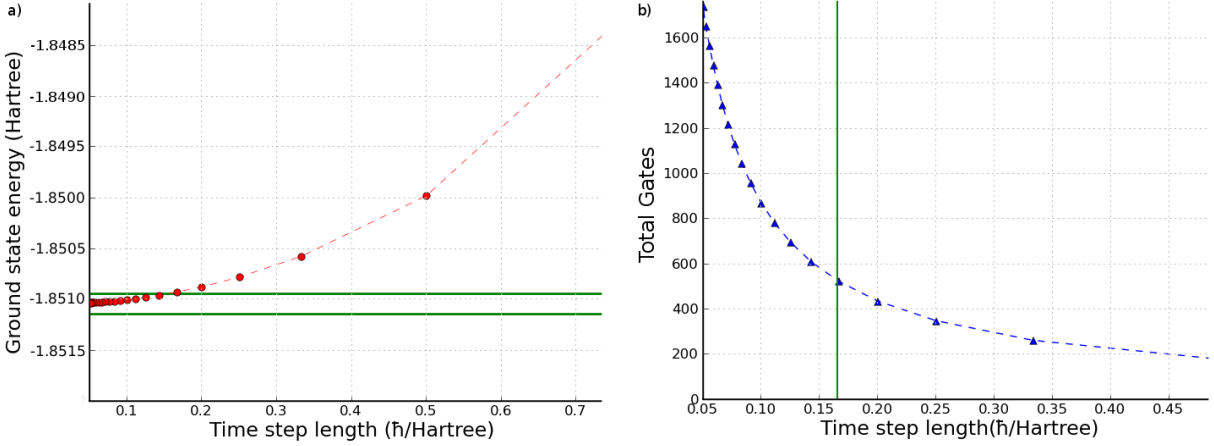


FIG. S2: **Trotter error analysis and resource count for hydrogen molecule using a scalable quantum simulation algorithm.** (a) Plot of ground state energy of hydrogen molecule as a function of the length of the time step. As the time step length decreases, the accuracy of the approximation increases in accordance with eqn. (S3). The total time of propagation, t , was unity and this time was split into time steps, dt . The circles are at integer values of the Trotter number, $T_n \equiv t/dt$. Green horizontal lines indicate the bounds for $\pm 10^{-4} E_h$ precision. (b) Gates for a single construction of the approximate unitary as a function of time step. As the time step decreases, more gates must be used to construct the propagator. The triangles indicate integer values of the Trotter number and the green vertical line corresponds to the same threshold from graph a. Perfect gate operations are assumed.

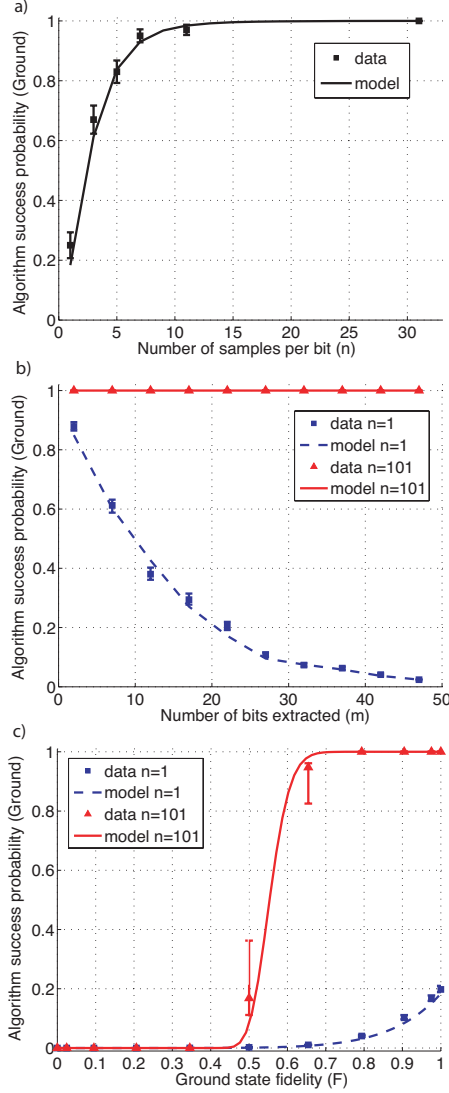


FIG. S3: **IPEA success probability measured over a range of parameters.** Probabilities for obtaining the ground state energy, at the equilibrium bond length $1.3886 a_0$, as a function of: **(a)** the number of times each bit is sampled (n); **(b)** the number of extracted bits (m); **(c)** the fidelity between the encoded register state and the ground state (F). The standard fidelity¹⁵ between a measured mixed ρ and ideal pure $|\Psi\rangle$ state is $F = \langle \Psi | \rho | \Psi \rangle$. **(a)** & **(b)** employ a ground state fidelity of $F \approx 1$. **(a)** & **(c)** employ a 20-bit IPEA. All lines are calculated using a model that allows for experimental imperfections. This model, as well as the technique used to calculate success probabilities and error bars, are detailed in the appendix (section B).